



It is a series of low cost but high level of functionality CMOS camera modules. By using the advance image processing technique, it provides more functions then traditional surveillance camera. It is small size, low voltage, low power consumption.

Features:

- ✓ Small size : 32x32 mm
- ✓ Wide angle lens
- ✓ Freeze and Zoom function
- ✓ 5 - 7VDC operation
- ✓ Low power consumption
- ✓ Full resolution analog output
- ✓ Direct connect to TV monitor
- ✓ Built-in Audio amplifier
- ✓ Automatic white balance
- ✓ Auto exposure/gain control

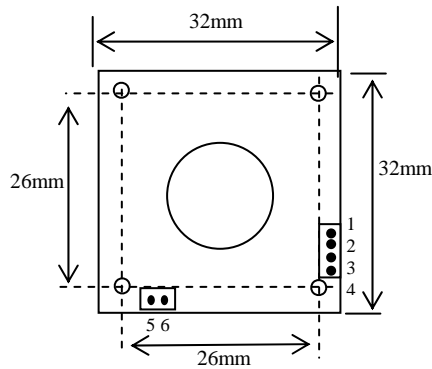


Specification

Application Example

- Video Door phone
- Security and Surveillance System
- Toys

Mechanical Size



Imager	CMOS imager sensor VGA
Video Output	Composite video (75Ω)
Picture Element	640 x 480 pixel
Sensitivity	TBA
Resolution	380 TV lines
Zoom	4X
Operation Voltage	5 – 7 VDC
Power consumption	950mW
Connectors	2mm pitch
Lens	f=2.2mm F/no: 2.5
View Angle	118 deg digonal
Board size	32x32mm

Connector Description

- | | | |
|---|-----|--|
| 1 | PWR | Power Supply 5 - 7V DC |
| 2 | AUD | Audio Output |
| 3 | GND | Common Ground for power and video |
| 4 | CVO | Composite Video Output.
Direct connect to TV Video In |
| 5 | TP5 | ADC for key freeze and zoom |
| 6 | TP6 | Ground for key |

Key Circuit Diagram

