



It is a series of low cost but high level of functionality CMOS camera modules. It is small size, low voltage, low power consumption and high performance color video camera.

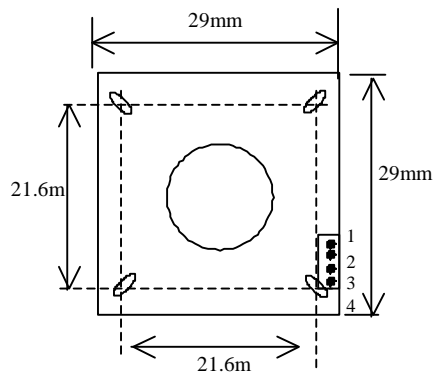
### Features:

Small size : 29x29 mm  
Full resolution: 365Kpixels  
7.5 - 9VDC operation  
Low power consumption  
Direct connect to standard video monitor  
Sensitivity boost (+42dB)  
Automatic white balance  
Auto exposure/gain with 16 zone control  
Aperture / Gamma correction  
Low dark current  
Defective pixel correction

### Application Example

Video conferencing  
Video Phone  
Industrial application  
Security and Surveillance System  
Toys

### Mechanical Size



### Connector Description

- |    |     |   |
|----|-----|---|
| 1  | CVO | Composite Video Output. Direct connect to TV Video In |
| 2  | GND | Common Ground for power and video                     |
| 3  | NC  | No connection   |
| 4. | PWR | Power Supply 7.5 - 9V DC                              |



### Specification

	C3385 (PAL)	C3386 (NTSC)
Imager	CMOS imager sensor OV7949	
Exp Range	1/60sec - 12uS	
Video Output	Composite video (75Ω)	
Picture Element	628 x 586 pixel	510 x 496 pixel
Effective image area	5.96 x 4.26mm	
Sensitivity 2.26V/Lux-sec	@5600K	
Resolution	380 TV lines	
Dark Current	10mW/s @60C	
Dynamic range	>72dB	
Operation Voltage	7.5 - 9 VDC	
Power consumption	300mW	
Connectors	0.1" pitch, PWR, Video, GND	
Lens	f=2.5mm F/no: 2.5	