



It is a series of low cost but high performance CMOS camera modules. Thanks to the advance technology, its performance is equivalent to tradition CCD or even better. It is small size, low voltage, low power consumption and high performance color video camera.

**Features:**

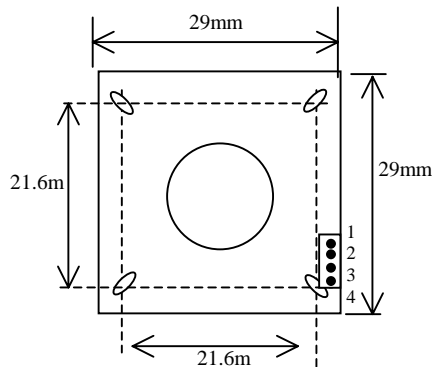
- Small size : 29x29 mm
- Full resolution: 365Kpixels
- 5 - 12VDC operation
- Low power consumption
- Direct connect to standard video monitor
- Sensitivity boost (+42dB)
- Automatic white balance
- Auto exposure/gain with 16 zone control
- Aperture / Gamma correction
- Very Low dark current
- Defective pixel correction



**Application Example**

- Video conferencing
- Video Phone
- Industrial application
- Security and Surveillance System
- Toys

**Mechanical Size**



**Specification**

TV system	NTSC
Imager	CMOS imager sensor OV7950
Exp Range	1/60sec –12uS
Video Output	Composite video (75Ω)
Picture Element	656 x 492 pixel
Effective image area	4.08 x 3.1mm
Sensitivity	TBD
Resolution	380 TV lines
Dark Current	TBD
Dynamic range	TBD
Operation Voltage	5 – 12 VDC
Power consumption	450mW
Connectors	0.1” pitch, PWR, Video, GND
Lens	f=6mm F/no: 1.8

**Connector Description**

- |    |     |   |
|----|-----|---|
| 1  | CVO | Composite Video Output. Direct connect to TV Video In |
| 2  | GND | Common Ground for power and video                     |
| 3  | NC  | No connection   |
| 4. | PWR | Power Supply 5 -12V DC                                |