

C-Cam8

Miniature Color Camera Standard Resolution

C-Cam8 turns a complete color video camera into a component of your product.

C-Cam8, a CMOS type video camera, is specially designed for the cost sensitive consumer electronics application.

C-Cam8 offers the unique benefits such as a low power consumption, low cost, small size together with consistent image quality.

Features:

- Small size : 22x22x28mm
- Built-in lens with IR filter
- Full resolution 365Kpixels
- 5V operation
- Low power consumption
- Direct connect to standard video monitor
- Auto exposure control
- Back light compensation
- Gamma correction - 0.45/1.0
- Auto gain control - 18dB
- Auto black level calibration
- Auto white balance



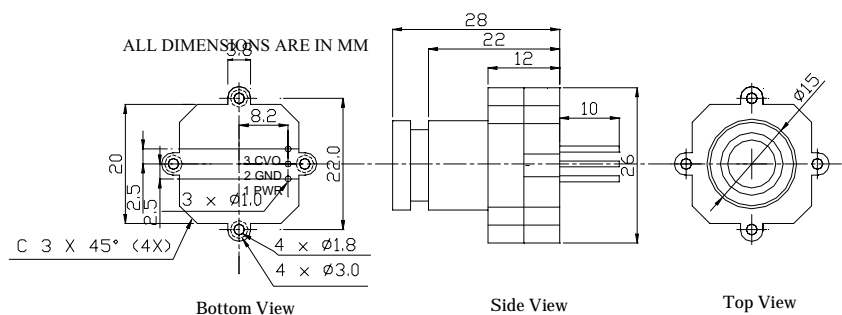
Specification

Imager	1/3" CMOS imager sensor
Scanning	2:1 Interlace
Shutter	1/60 to 1/1,5000 sec
Video Output	1V p-p composite video (75Ω)
Picture Element	PAL: 628(H) x 582(V) NTSC: 510(H) x 492(V)
Effective image area	5.78mm x 4.19mm
Resolution	340TV lines
S/N Ratio	>48dB (AGC on)
Fixed pattern noise	<0.03%Vp-p
Dark Current	<0.2nA/cm ²
Dynamic Range	>72dB
Operation Voltage	5 VDC± 0.5V
Operating Current	10mA (no load)
Lens	f6.0mm F1.6 FOV 51° x 43°

Application Example

- Visual Door Phone
- Baby Monitor
- Security and Surveillance System
- Machine Vision
- Process Control
- Car Rear Viewer
- Toys

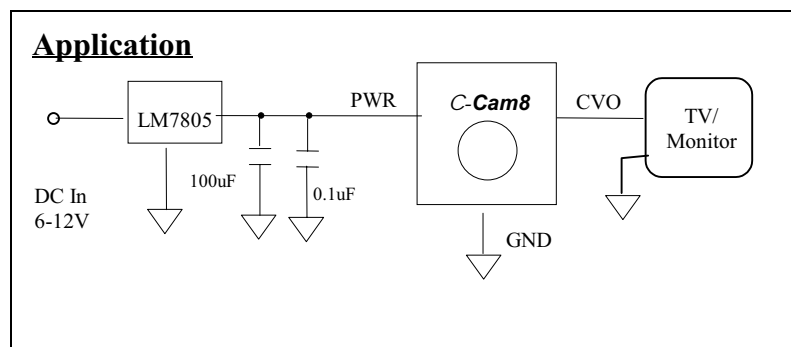
Mechanical Dimension



Pin Description

1. PWR Power Supply, DC5V± 0.5V
2. GND Power Supply Ground
3. CVO Composite Video Out, direct connect to monitor.

Application



COMedia Ltd.
康大科技有限公司