

C-Cam-A

Ultra Low Cost Video Camera

C-**Cam-A** turns a complete video camera into a component of your product.

C-**Cam-A**, a new version CMOS type video camera, is specially designed for the cost sensitive consumer electronics application.

C-**Cam-A** offers the unique benefits such as low power consumption, low cost, small size together with consistent image quality.

Features:

- Small size : 21x21x15mm
- Lens: f3.8mm or f4.9mm
- Low power consumption (<100mW)
- Direct connect to standard video monitor
- On-chip auto exposure control
- Auto Back light compensation
- Gamma correction - 0.45/1.0
- Auto gain control - 18dB
- Auto black level calibration
- High IR sensitivity for night time application
- Auto level expanding
- Edge enhancement

Application Example

- Visual Door Phone
- Baby Monitor
- Security and Surveillance System
- Machine Vision
- Process Control
- Car Rear Viewer
- Toys

Pin Description

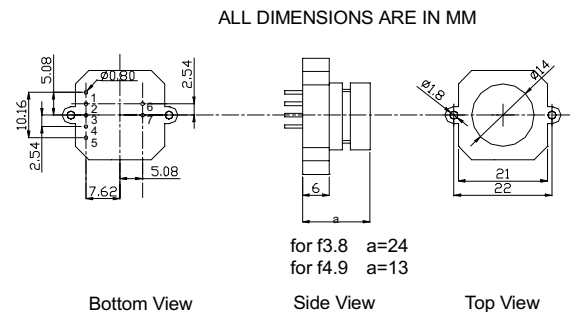
- | | |
|---------|--|
| 1. Vout | Composite Video Out, direct connect to video monitor. |
| 2. GND | Power Supply Ground |
| 3. VCC | Power Supply, DC5V± 0.5V. |
| 4. Gam | Internal pull high (gamma=0.45), pull low to set gamma=1 |
| 5. Gain | Internal pull high, pull low to reduce gain |
| 6. NC | |
| 7. NC | |



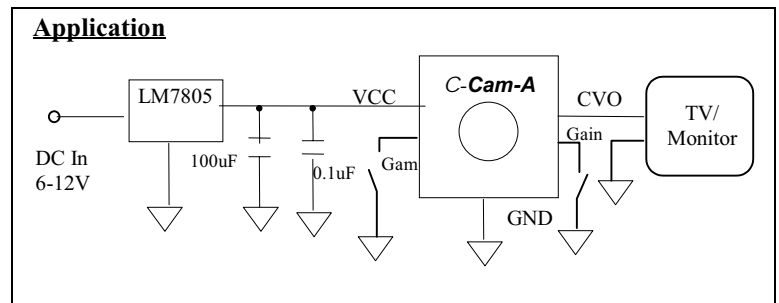
Specification

Imager	1/4" CMOS imager sensor
Scanning	2:1 Interlace
Shutter	1/50 to 1/6,000 sec
Video Output	1V p-p composite video (75Ω)
Picture Element	EIA: 320(H) x 240(V) CCIR: 352(H) x 288(V)
Effective image area	3.2mm x 2.5mm
S/N Ratio	>46dB (AGC on)
Min Illumination	0.5Lux at F1.4
Resolution	260 TV line (CCIR)
Operation Voltage	5 VDC± 0.5V
Operating Current	10mA (no load)
Lens :	f3.8mm F2.0, FOV 45° x 40° f4.9mm F2.8, FOV 36° x 27°

Mechanical Dimension



Application



COMedia Ltd.
康大科技有限公司

Tel: (852) 2498 6248 Fax: (852) 2414 3050
Rm 802, Nan Fung Ctr, Castle Peak Rd, Tsuen Wan, NT, Hong Kong.
Email: sales@comedia.com.hk http://www.comedia.com.hk